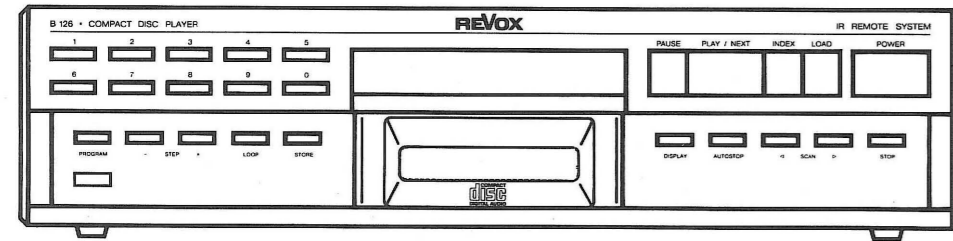


REVOX B126

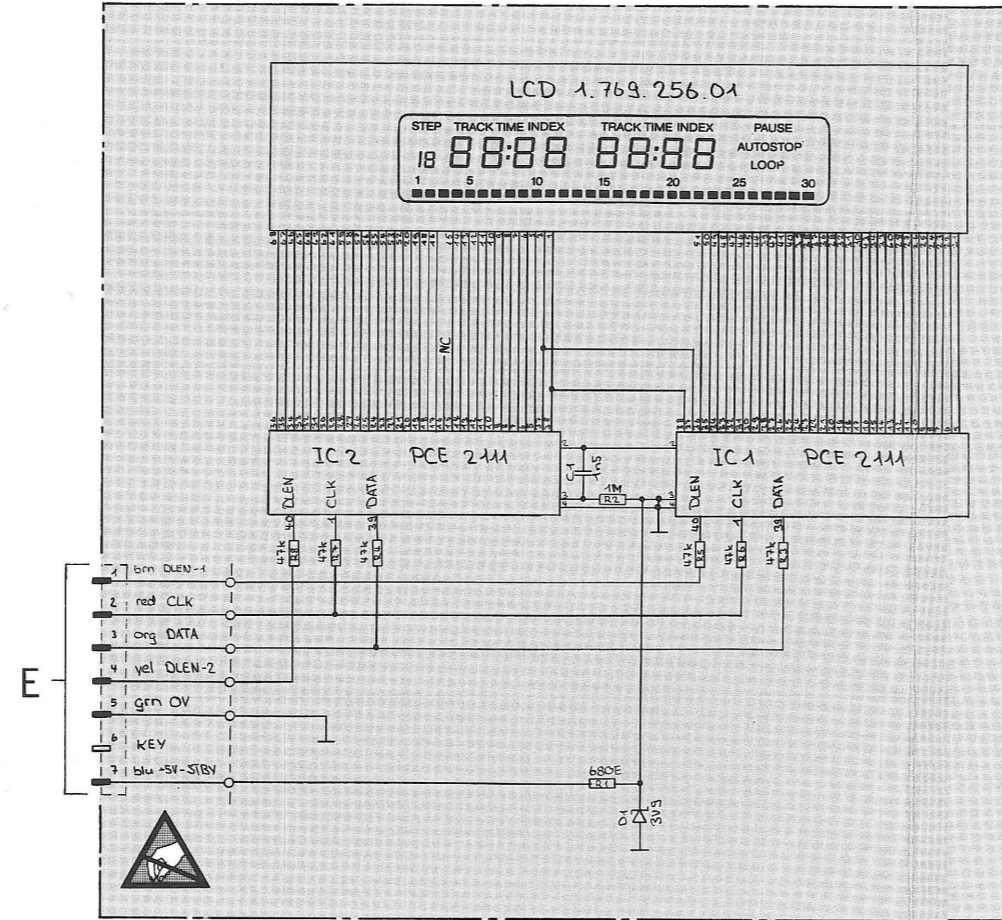
GESAMTSCHALTBIKD COMPLETE CIRCUIT DIAGRAM SCHÉMA GÉNÉRAL



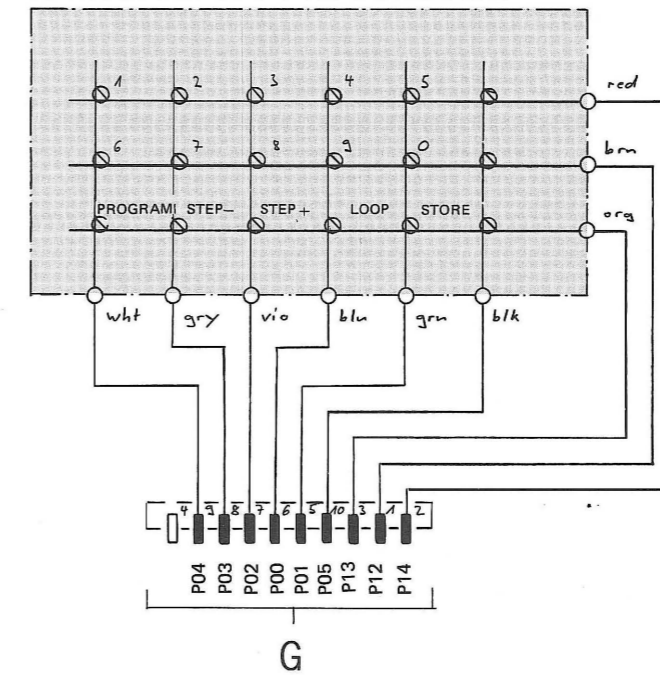
- Handling MOS components**
MOS components are extremely sensitive to static charges. Please observe therefore the following regulations:
1. Components sensitive to static charges are stored and shipped in protective package. On the packages you find the subsequent symbol.
 2. Avoid any contact of connector pins with foam packages and foils made of styropor or similar chargeable package material.
 3. Don't touch the connector pins when your wrist is not grounded with a conducting wristlet.
 4. Use a grounded conducting mat when working with sensitive components.
 5. Never plug or unplug PCBs containing sensitive components when the machine is switched on.

Subject to change
Copyright by WILLI STUDER AG
Printed in Switzerland
Order No. 10.30.0970 (Ed. 0589)
REVOX is a registered trade mark of
WILLI STUDER AG Regensdorf

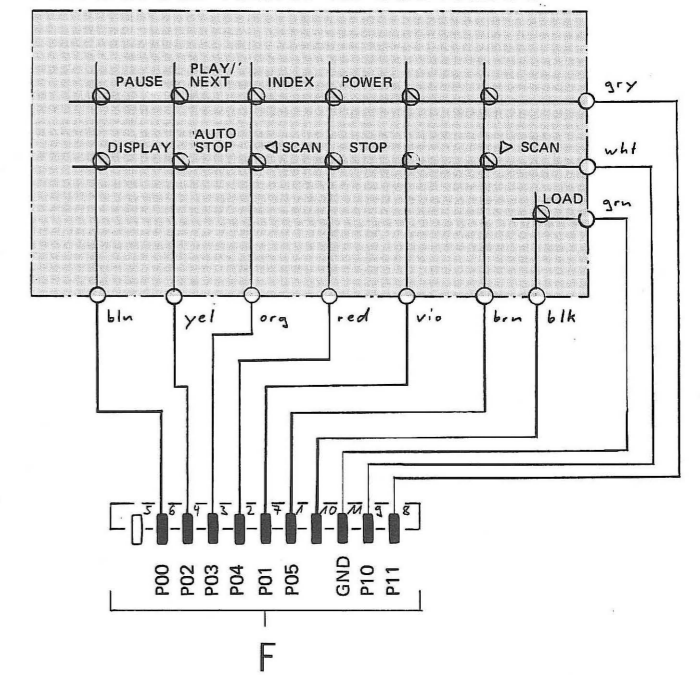
LCD BOARD 1.769.253.00



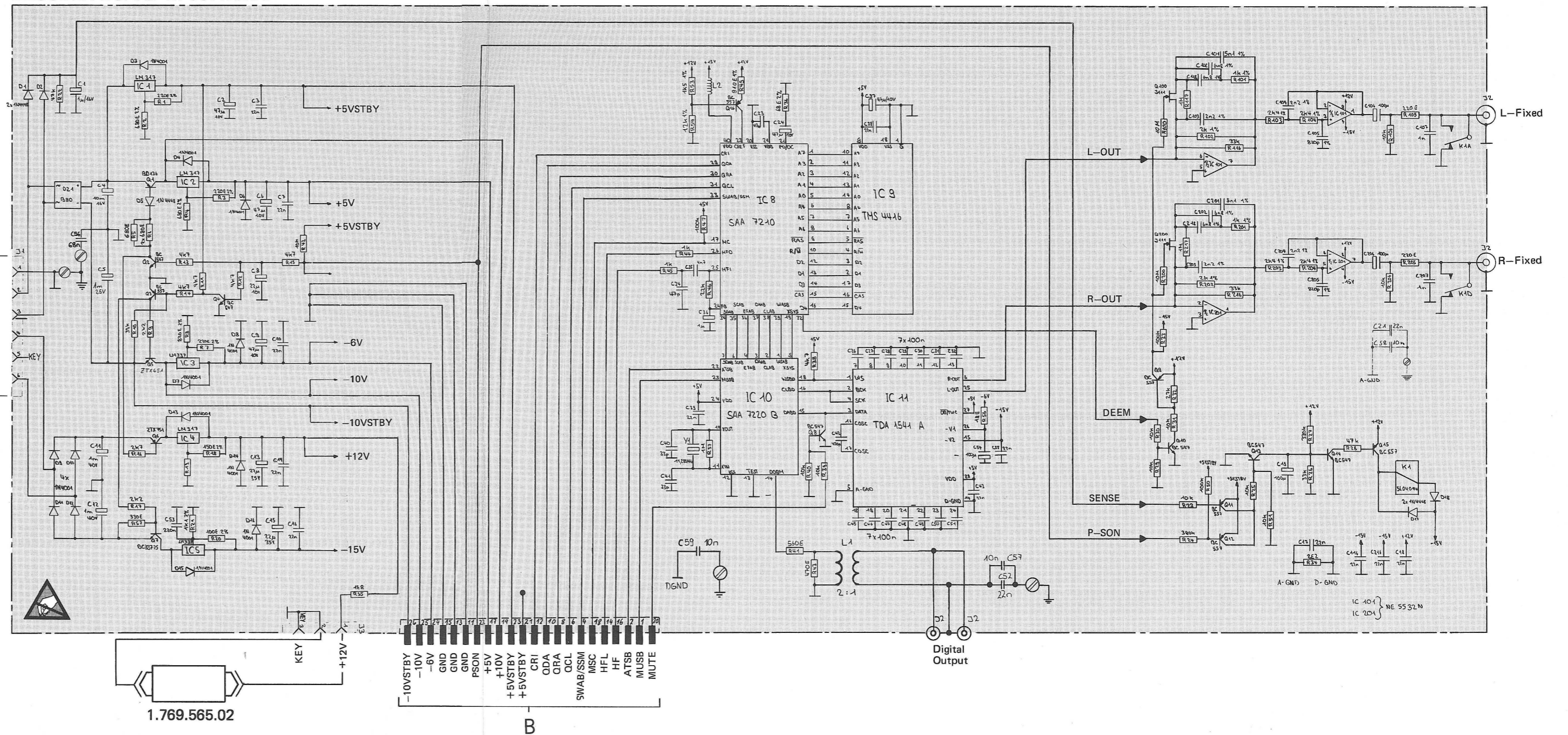
KEYBOARD LEFT 1.769.215.00



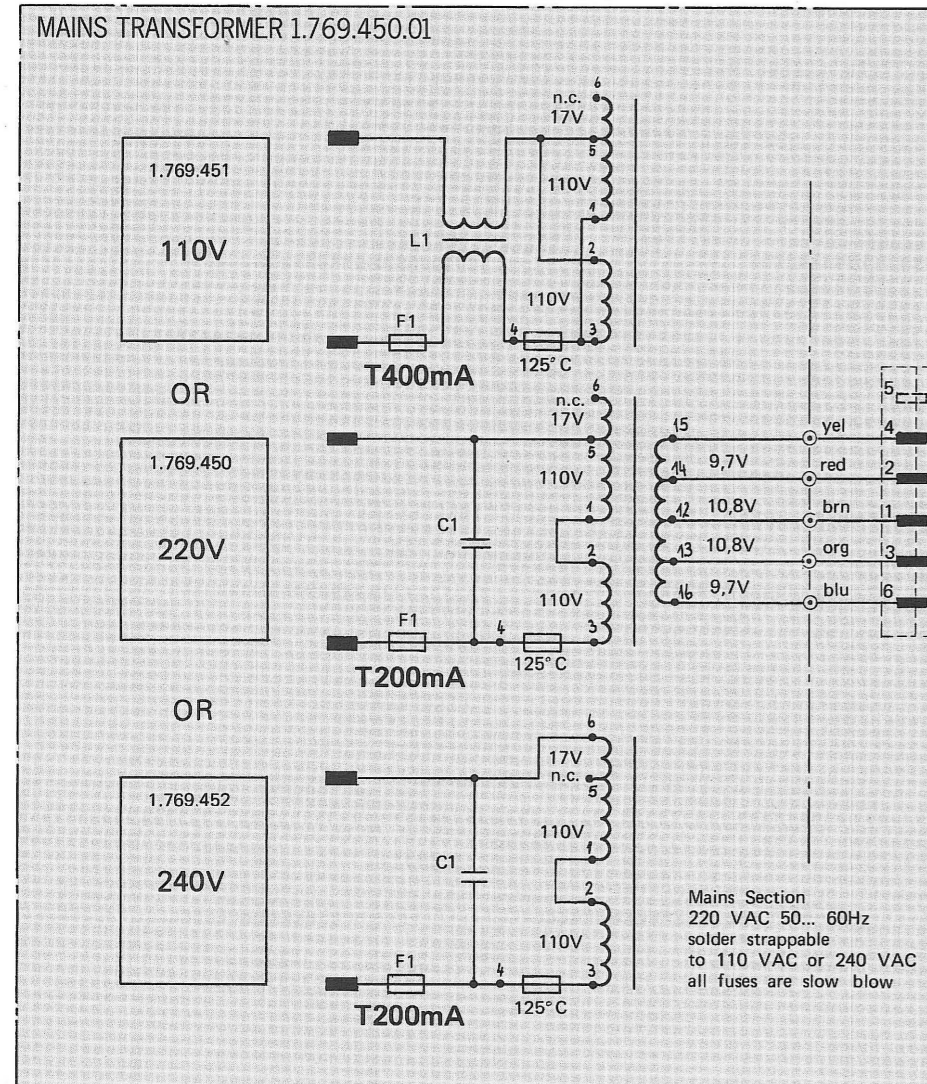
KEYBOARD RIGHT 1.769.202.00



DECODER BOARD 1.769.421.00



MAINS SECTION 1.769.450.00 220V

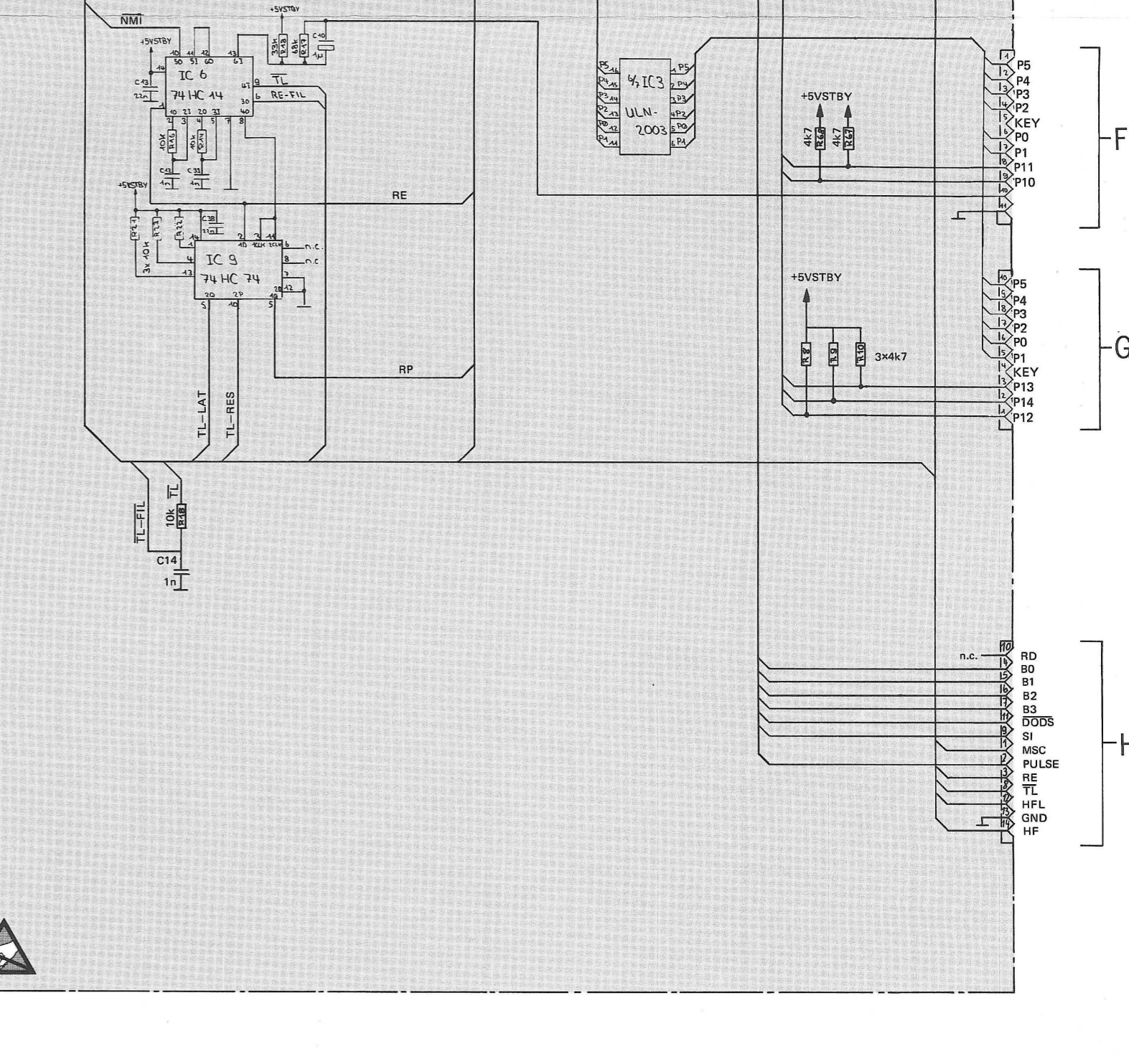
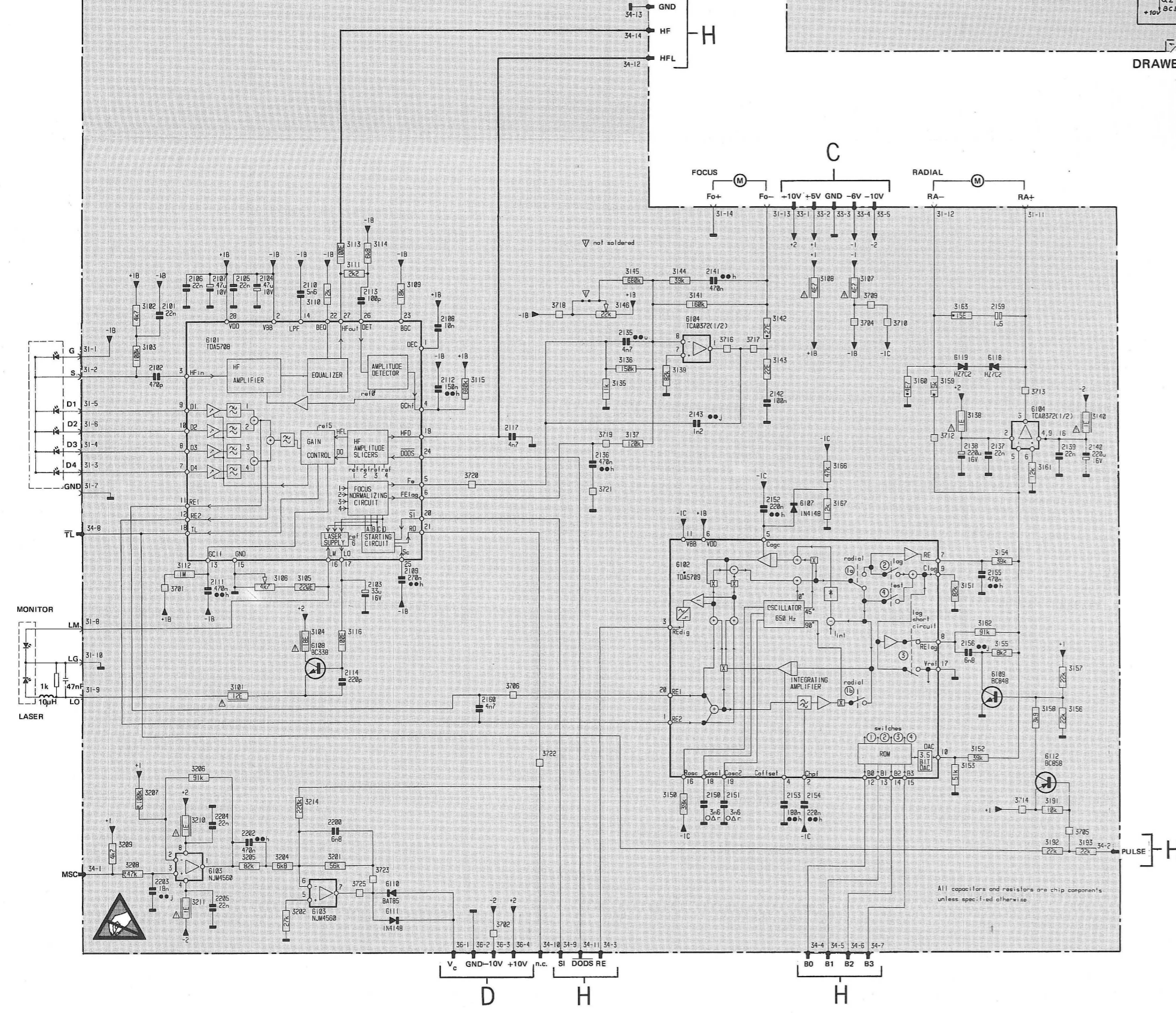
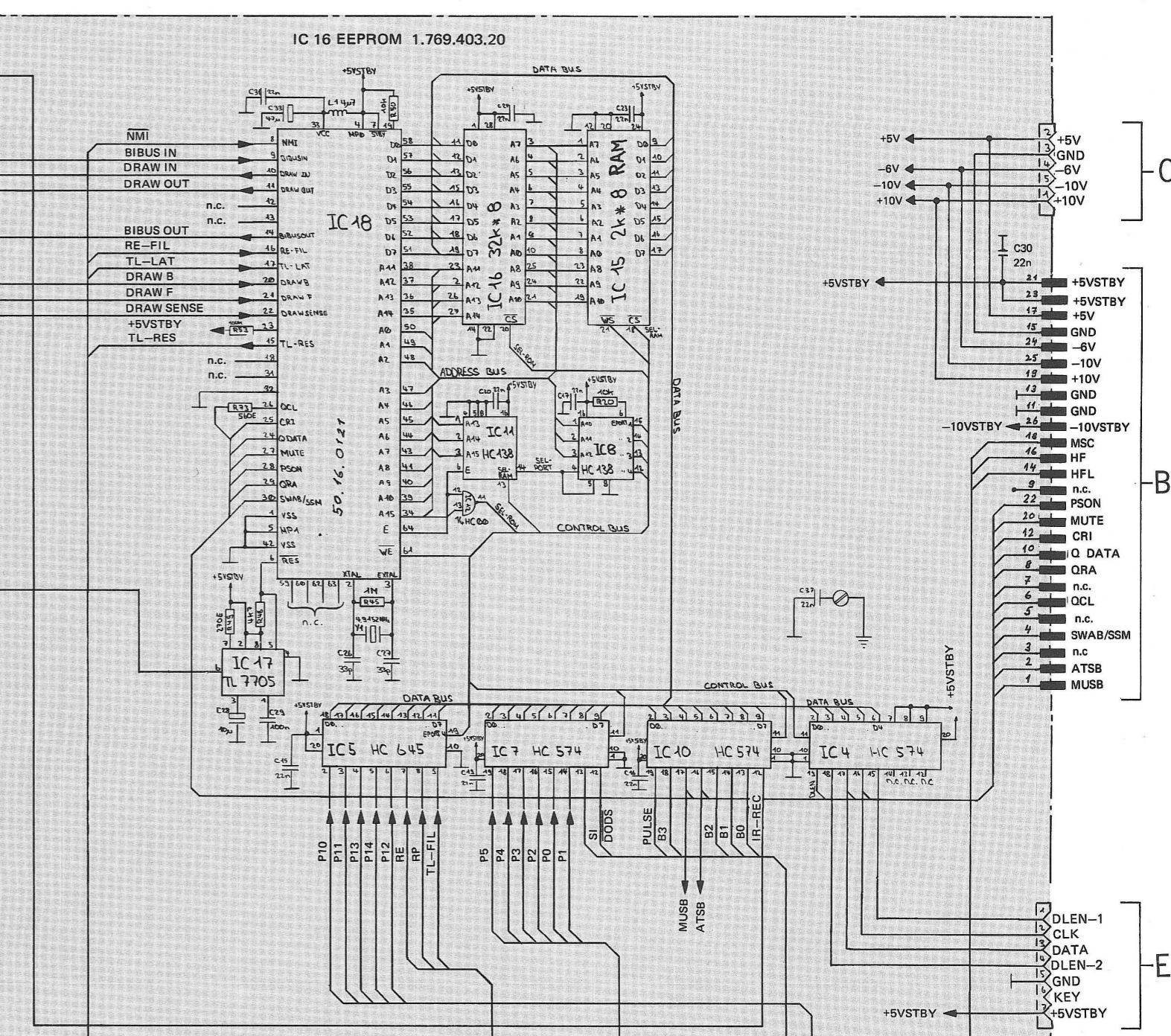
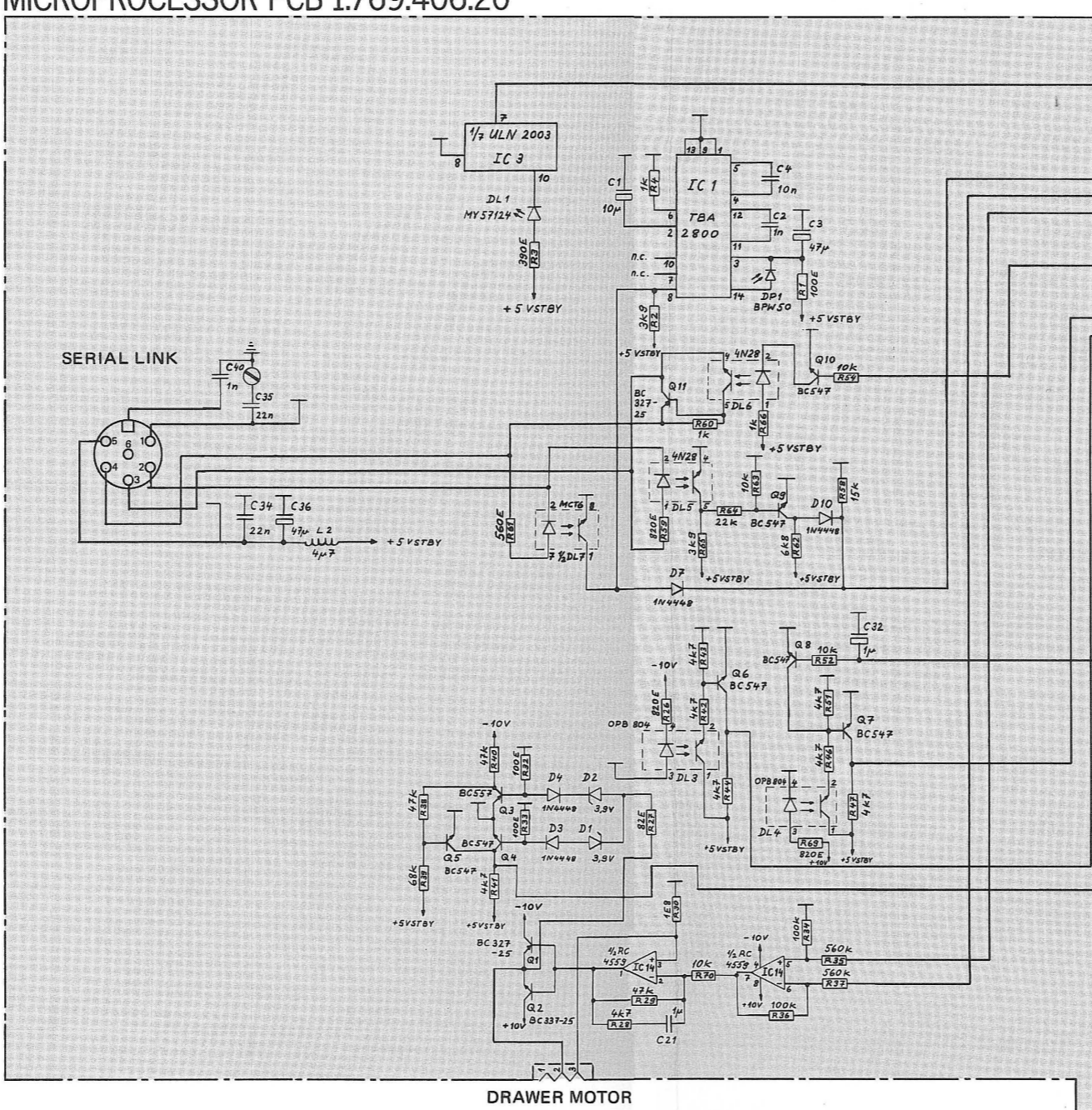
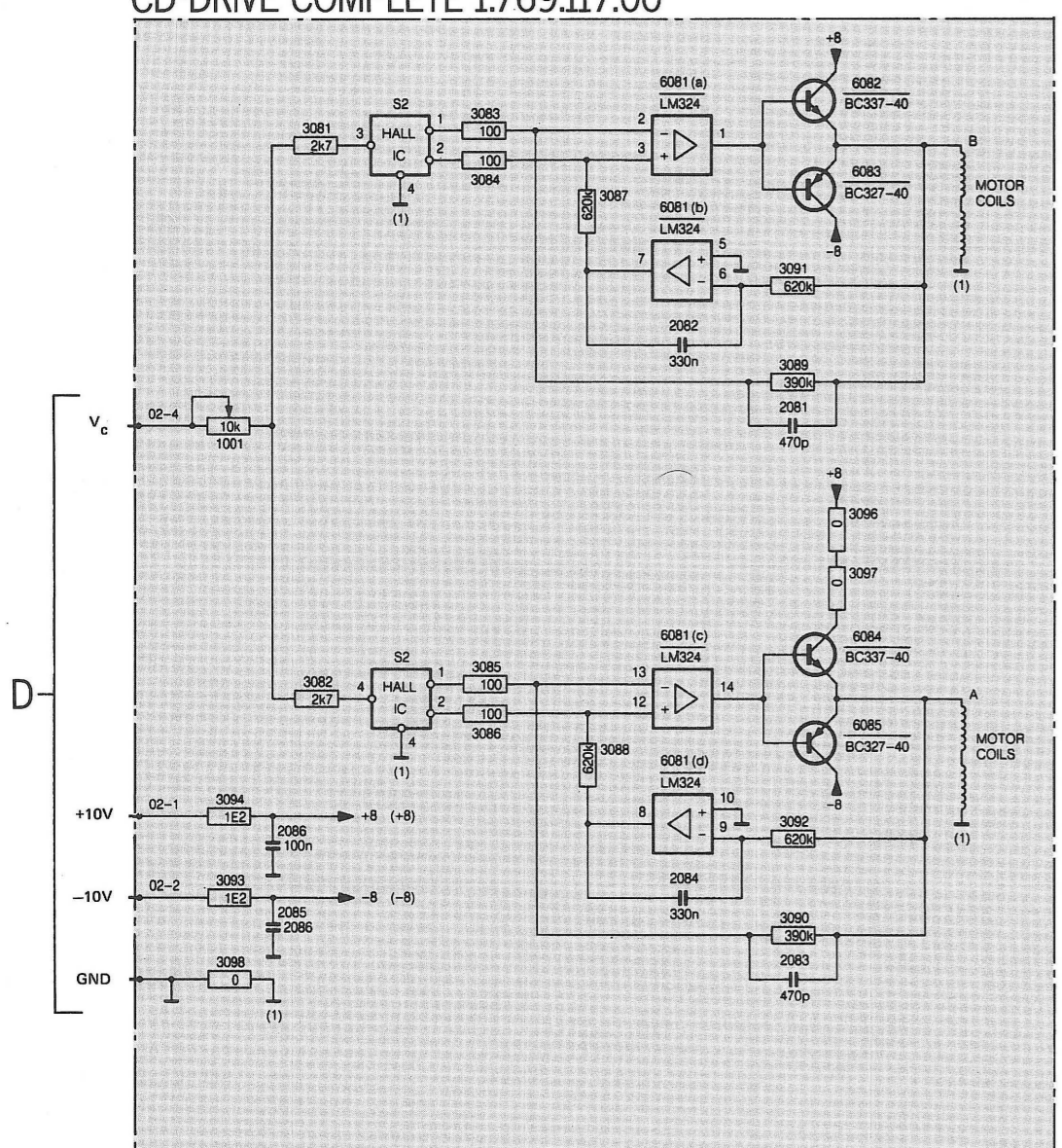


1.769.565.02

B

CD-DRIVE COMPLETE 1.769.117.00

MICROPROCESSOR PCB 1.769.406.20



- C
- B
- E
- F
- G
- H

All capacitors and resistors are chip components unless specified otherwise.